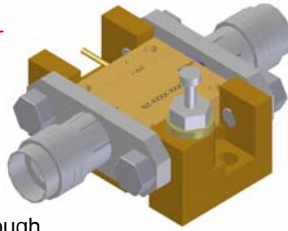


## BZ0510MD1

### WIDEBAND MEDIUM POWER AMPLIFIER, 5 - 10 GHz

#### Features

- **Power Out 1 dB comp.  $\geq 25$  dBm**
- Unconditionally Stable at all temperatures
- Internally Regulated DC Voltage
- 50 Ohm Matched Input/Output
- Field Replaceable SMA connectors
- Excellent Group Delay and Phase Linearity
- 0.009 inches diameter RF In/Out feed through
- 3 Year Warranty

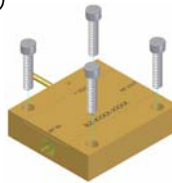


#### Specifications (23 °C)

Parameter	Min	Typ	Max	
Frequency Range	5	-	10	GHz
Noise Figure			3.6	dB
Gain	32	33	-	dB
Gain Flatness	-		$\pm 1.5$	dB
*P1dB Output Power	25		-	dBm
Input VSWR	-		2.0:1	
Output VSWR	-		2.0:1	
Operating Temperature	-55	-	+85	°C

#### Options

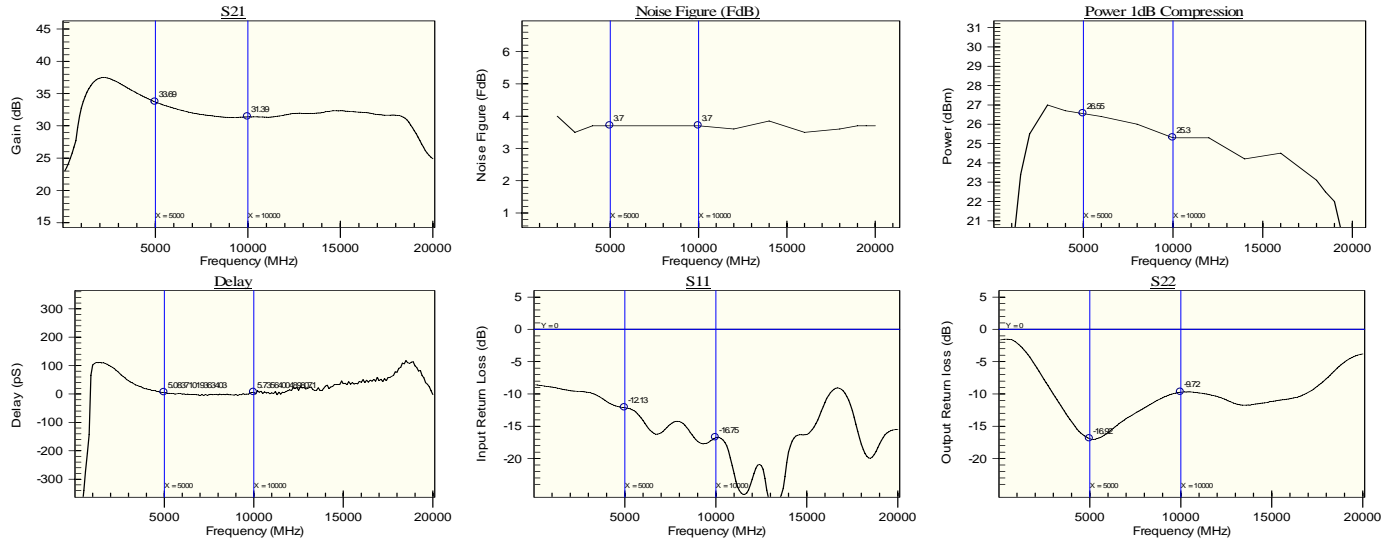
- **Optimized Performance over Selected Bandwidth**
- Internally DC Block Input (Output DC Block Standard)
- Hermetically Sealed Package
- Gain and Phase matching
- Extended bandwidth to 100 MHz.
- Internal D.C. Voltage regulation



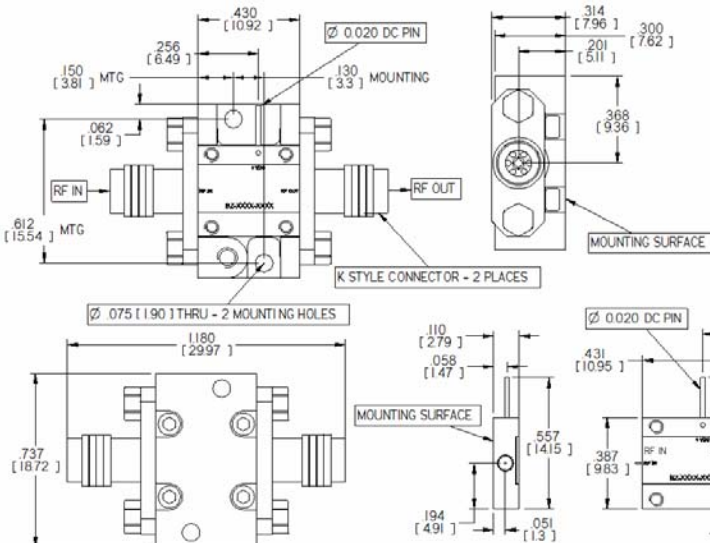
**Voltage	+14.5	-	+15.5	V
Current	-	390	430	mA

\*IMP: UNIT REQUIRES HEAT SINK.  
 \*\* Input +15V with Internal D.C. voltage Regulation available

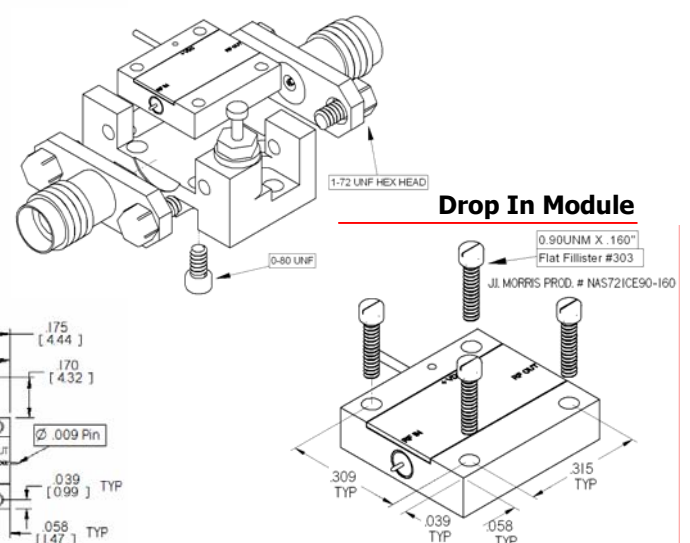
#### Performance Graphs



#### Outline Drawing



#### Mounting Drawing



00166

#### Drop In Module

